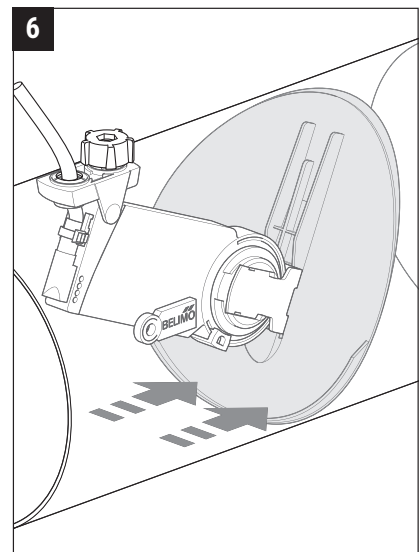
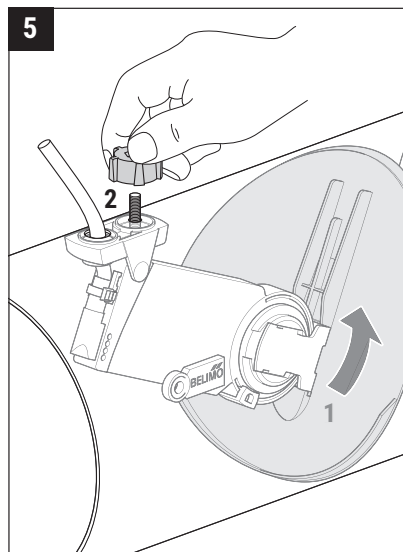
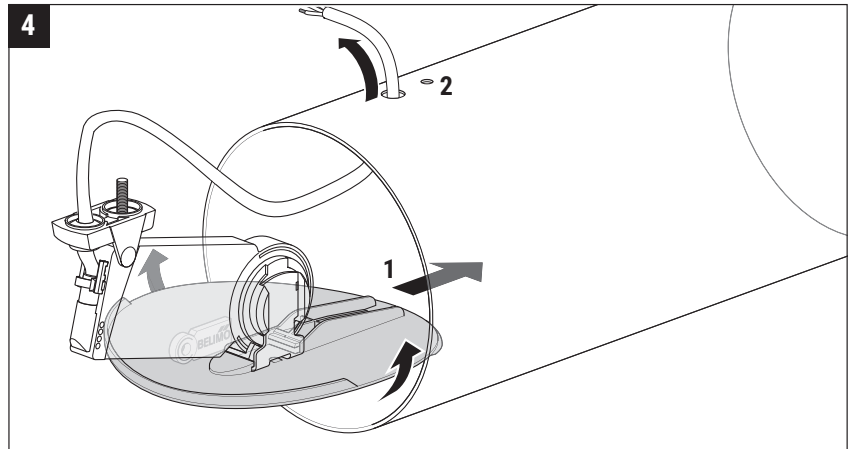
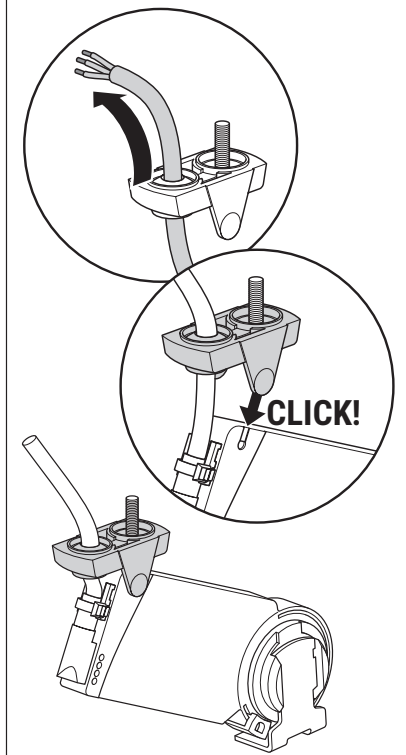
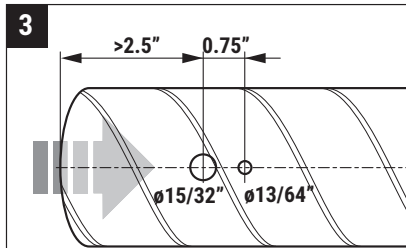
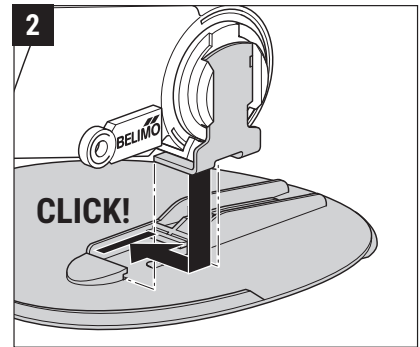
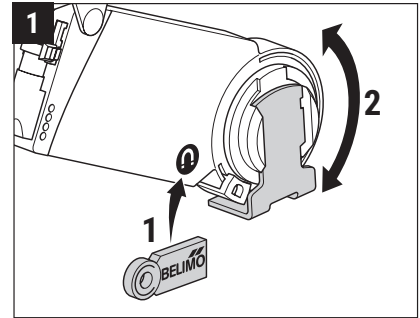
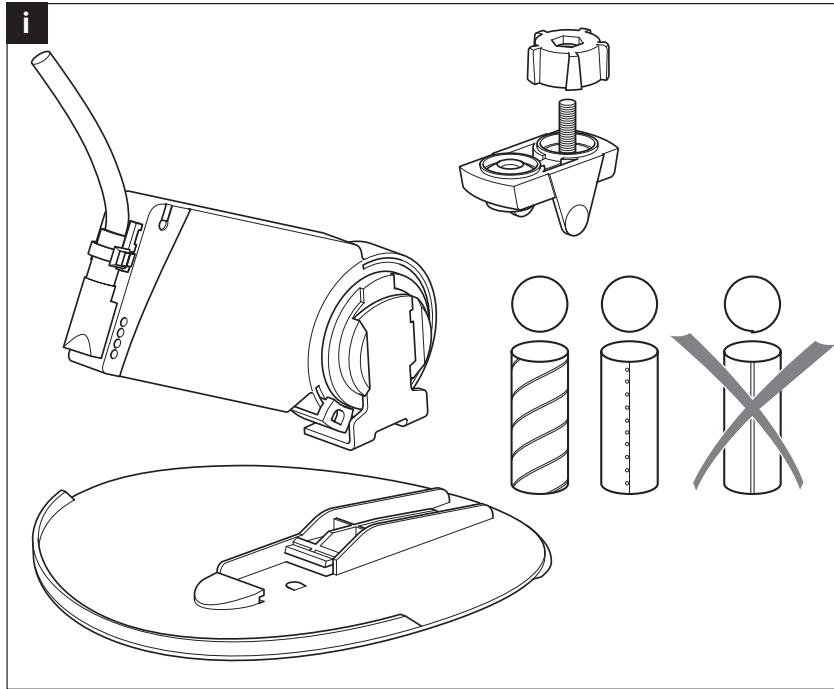
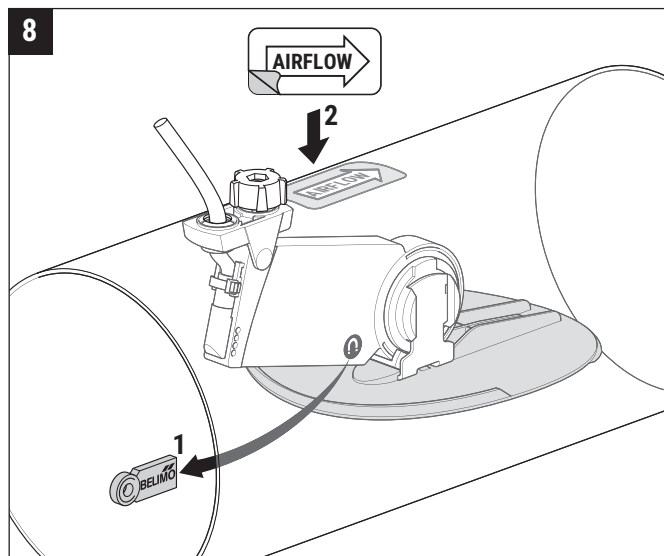
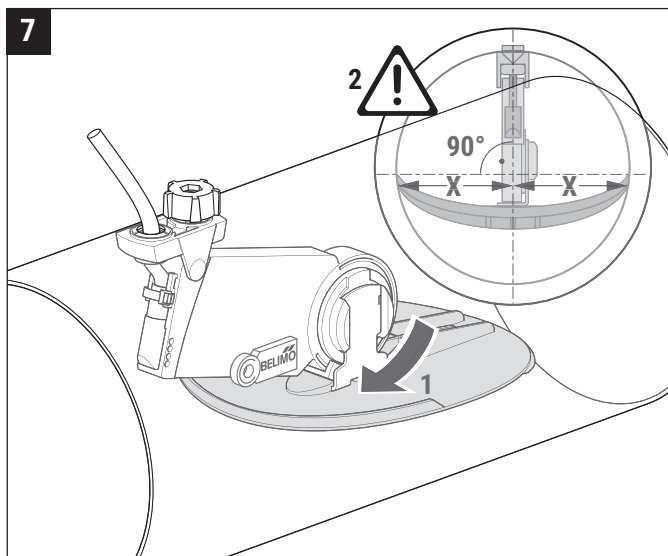


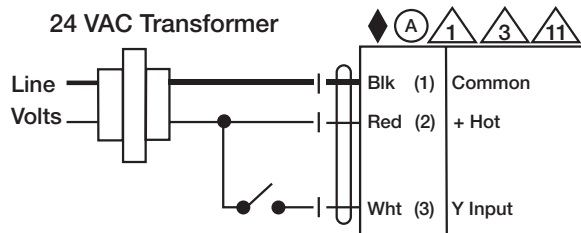
NIMOFR..C, CMB24..D Actuators



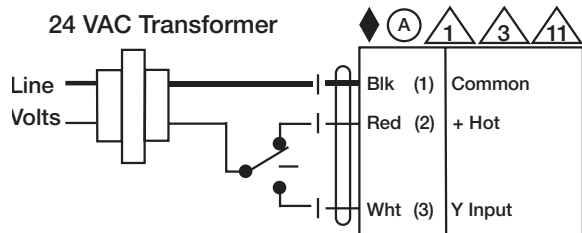
NIMOFR...C, CMB24..D Actuators



Wiring Diagrams



On/Off



Floating Point

Notes:

- ◆ Meets cULus requirements without the need of an electrical ground connection
- Ⓐ Actuators with appliance cables are numbered.
- ⚠ Provide overload protection and disconnect as required.
- ⚠ Actuators may also be powered by 24 VDC.
- ⚠ Actuators may be connected in parallel if not mechanically mounted to the same shaft. Power consumption and input impedance must be observed.

WHT
White
Blanco
Blanc
Branco

RED
Red
Rojo
Rouge
Vermelho

BLK
Black
Negro
Noir
Preto